

# FOLDING CHAIR



I



II



III



## CONFIGURATION OPTIONS:

★  
STOOL

★  
BACKED CHAIR

★  
SMALL TABLE

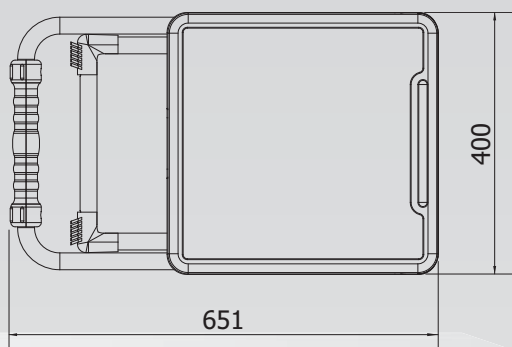
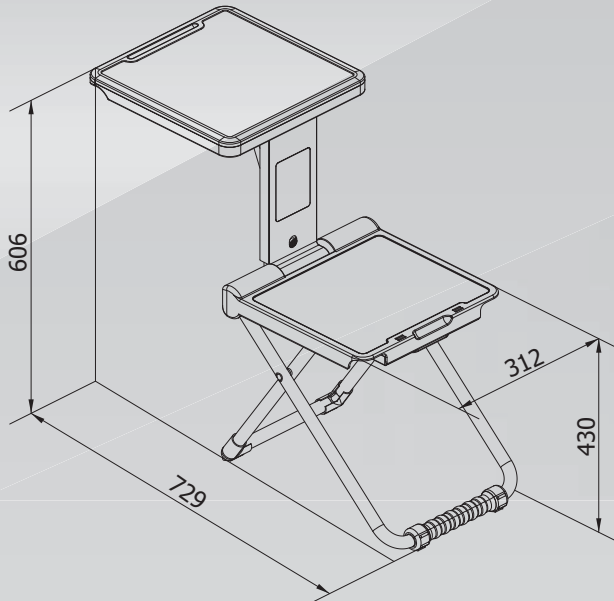
★  
MOBILE WORKING  
PLACE

★  
TABLE AND STOOL



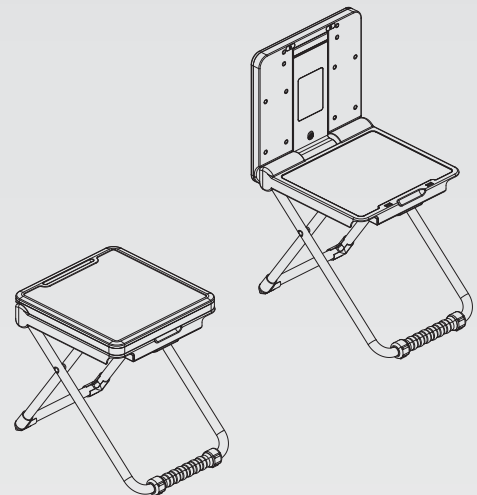
# FOLDING CHAIR

## TECHNICAL DATA:



## ADVANTAGES:

- ★ MULTIFUNCTIONAL
- ★ COMPACT SIZE
- ★ PLASTIC ERGONOMIC HANDLE
- ★ HIGH QUALITY MATERIAL
- ★ UNIQUE DESIGN
- ★ HIDDEN DRAWER FOR DOCUMENTS
- ★ EASY TRANSFORMATION
- ★ STABLE STRUCTURE



## TECHNICAL SPECIFICATION

Dimensions when folded: HxWxD, mm	72x651x400
Dimensions when completely set up: HxWxD, mm	606x729x312
Seat height from the floor, mm	430
Temperature limits	- 40 °C + 45 °C
Maximum seat loading, kg	120
Maximum table loading, kg (when chair is loaded)	20
Weight, kg	5,5



**THE FOLDING  
CHAIR IS A  
RELIABLE  
PARTNER ON  
ANY ROUTE**